



## Rim Locks Index

- [Introduction](#) RL2
- [What Type of Door ?](#) RL3
- [What is Backset ?](#) RL3
- [Features and Functions](#) RL3
- [Photo Gallery](#) RL4
- [Range Table](#) RL5
- [High Security](#) RL6
- [Double Security](#) RL6
- [Drawback Lock](#) RL7
- [Security](#) RL7
- [Traditional Security](#) RL8
- [Replacement Cylinder](#) RL8
- [Cylinder Pull](#) RL8
- [Multi-Point](#) RL9
- [Notes Page](#) RL10  
RL11

*Note: We have made every effort to ensure that at the time of going to print all information shown in this catalogue is correct. However, in our efforts to continually improve our products and offer only the highest levels of security and quality we reserve the right to make alterations to the product specifications shown in this catalogue. All dimensions provided within this catalogue are approximate and for guidance only.*

## Introduction

Chubb offer a comprehensive range of cylinder rim locks which are ideal for both architectural application and residential use.

The range includes a high security variant, kitemarked to BS3621, for use on external doors, as well as standard variants for internal doors or when used with a Chubb mortice deadlock on external doors.



Chubb is accredited with and meets the requirements of BS EN ISO 9001: 1994.

## Keying Groups

Throughout the catalogue you will see a column headed.



**Key Control**

The information shown under this heading can help you identify which products can be Keyed Alike or Masterkeyed.

The products that can be keyed to work with other products are given a group code.

**KA** - means the product can be **Keyed Alike** with more of the same product.

**MK** - means the product can be **Masterkeyed** with more of the same product.

A Group Letter (eg A) means the product can be **Keyed Alike** or **Masterkeyed** with more of the same product and with other products listed in the same group.

For the complete range of products and their keying groups, see the chart in the introduction section.

## How to Specify

Chubb have developed a series of icons to enable the process of product specification to be simplified.

From today you can specifically detail your requirements for a product, therefore ensuring that it includes particular security features.

**Example:** If you require a rimlock that has hardened protection against drill attack, look for the Drill Resistant icon (number 2) in the range table.

*Chubb, Simplifying the Specification Process.*

## Standards & Approvals



BS3621

Products endorsed with the Kitemark have passed a strict testing procedure under the control of the British Standards Institution.



The Master Locksmiths Association provides guidelines covering minimum security levels for domestic properties.



The Association of British Insurers provides minimum security recommendations for external doors and windows.





The National House Building Council offers general guidance on security for dwellings, flats and maisonettes.

## Keys

At least 2 keys are supplied as standard, however see the price list for any variations.

## Security Features

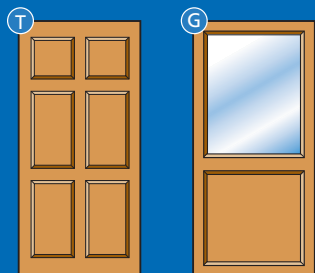
- 1  **Protected Section**  
Products are available as an option on a patented key section.
- 2  **Drill Resistant**  
Hardened protection against drill attack.
- 3  **Saw Resistant**  
Hardened protection against saw attack.
- 4  **Force Resistant**  
Built in strength against force attack.
- 5  **Pick Resistant**  
Built in protection to resist picking.
- 6  **Torque Resistant**  
Built in strength against torque attack.
- 7  **Tamper Resistant**  
Built in protection against Tampering.
- 8  **Corrosion Resistant**  
Products conform to appropriate anti-corrosion requirements.
- 9  **Fire Resistant**  
Products conform to appropriate fire test requirements.
- 10  **Escape**  
Products for use on an escape door.
- 11  **Key Control**  
The products can be included in a key control system.
- 12  **Guarantee**  
Products are guaranteed for a period of time.



# Rim Locks

## What Type of Door ?

- A comprehensive range of locks for both exterior and interior glass panelled or solid timber doors.



### Door Types

- T Solid Timber
- G Glass Panelled

- Variants available for outward opening doors.
- Locks available to suit doors between 38mm and 57mm thick.

## What is Backset?

- This is the measurement from the edge of the door to the centre of the keyhole.



- Locks are commonly supplied with either a 40mm or 60mm backset.
- Locks with a 40mm backset are normally used where there is restricted space, such as on a glass panelled door.

## Features and Functions

### Lockable Handle =

Prevents someone reaching in and opening the door



**Internal handle**  
(by turn of key in handle)

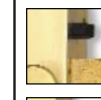


**Key in outside cylinder**

**BS3621**  
Recommended by the Police and the Insurance Companies

### Locking Mechanism =

the means by which the door is held closed



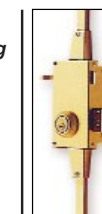
**DL/L**  
**Deadlocking Latch**



**DB**  
**Deadbolt**



**L**  
**Latch**



**MP**  
**Multi-Point**



### Deadlocking =

Locking the bolt so that it cannot be forced back.



**Automatic**  
(every time the door is closed it is deadlocked)



**Key**  
(by a reverse turn of the key in the outside cylinder)



**Internal Key**



**Snib**  
(Internal snib button)

### Bolt Hold Back



Either a slide, push button or turn of pull back handle to hold the bolt in the case.

\*All locks are supplied complete with at least two keys as standard.

**Finishes:** Brasslux Grey Champagne Gold White Gold Enamelled Chrome Plated

**Ideal for Use with:** Mortice Deadlocks & Access Control Systems

- Protected Section**  
Available on a patented key section.
- Drill Resistant**  
Hardened Steel Inserts in the outside cylinder.
- Saw Resistant**  
Hardened steel bolt, plates or hardened rollers.
- Force Resistant**  
Meets the force requirements of BS3621.
- Pick Resistant**  
Locking mechanism incorporates pick resistant device(s).
- Torque Resistant**  
Side lugs restricting twisting of cylinder.
- Tamper Resistant**  
Concealed fixings when door is closed.
- Key Control**  
Can be Masterkeyed or Keyed Alike (KA).
- Guarantee**  
Guarantee period applicable when used with original Chubb Keys and maintenance instructions followed.



# Rim Locks

## High Security



**Chubb** 4L67 Page RL6

## Double Security



**Chubb** 4L73 Page RL6



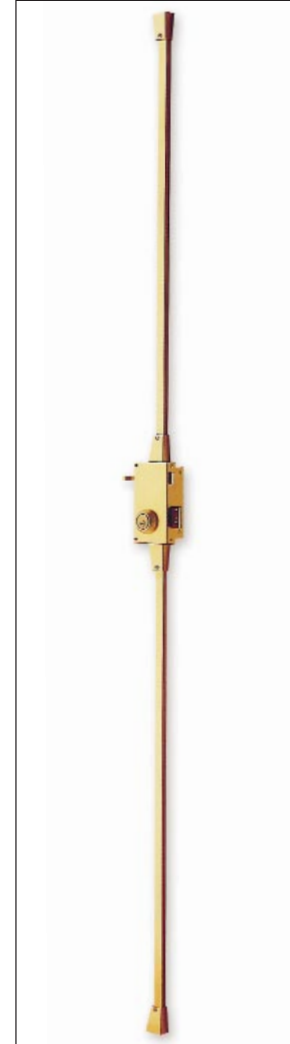
**Chubb** 4L74 Page RL6

## Cylinder



**Chubb** 4LC Page RL8

## Multi-Point



**Chubb** CTS30TX Page RL9



**Chubb** CTS50TX Page RL9

## Drawback Lock



**Chubb** 4L69 Page RL7



**Chubb** 4L70 Page RL7

## Traditional



**Chubb** 4L75 Page RL8

## Cylinder Pull



**Chubb** 4LP Page RL8

## Security



**Chubb** 4L71 Page RL7



**Chubb** 4L72 Page RL7

## Drawback Lock



**Chubb** CTS10TX Page RL9

# Chubb® Rim Locks

		Security Features									Features / Functions				Door Specification			Case Finishes			
		Protected Section	Drill Resistant	Saw Resistant	Force Resistant	PICK Resistant	Torque Resistant	Tamper Resistant	Key Control	Guarantee	Locking Mechanism	Lockable Handle/Knob	Bolt Hold Back	Deadlocking Internal	Deadlocking External	Door Thickness	Backset	Type of Door	Champagne Gold	Brasslux	Other
<b>Chubb</b>	High Security																				
	<i>4L67 Standard</i>		●	●	●	●	●	●		10	DB	●	●	Auto	Auto	38-57mm	60mm	T, GP		●	
<b>Chubb</b>	Double Security																				
	<i>4L73 Narrow</i>		●		●	●	●	●		10	DL/L	●	●	Auto	Auto	38-57mm	40mm	T, GP	●	●	White
	<i>4L74 Standard</i>		●		●	●	●	●		10	DL/L	●	●	Auto	Auto	38-57mm	60mm	T, GP	●	●	White
<b>Chubb</b>	Drawback Lock																				
	<i>4L69 Standard</i>		●		●	●				10	DB/L		●	Key	Key	38-57mm	60mm	T, GP	●	●	
	<i>4L70 Narrow</i>		●		●	●				10	DB/L		●	Key	Key	38-57mm	50mm	T, GP	●	●	
<b>Chubb</b>	Security																				
	<i>4L71 Narrow</i>				●	●	●			10	DL/L	▲	●	Auto	Auto	38-57mm	40mm	T, GP	●	●	White
	<i>4L72 Standard</i>				●	●	●			10	DL/L	▲	●	Auto	Auto	38-57mm	60mm	T, GP	●	●	White
<b>Chubb</b>	Traditional																				
	<i>4L75 Standard</i>				●	●				10	DL/L	▲	●	Snib	Key	38-57mm	60mm	T, GP	●	●	
<b>Chubb</b>	Multi-Point																				
	<i>CTS10TX NEW</i>	●	●	●		●	●			10	DB,L		●	Key	Key	up to 48mm	53mm	T, GP			Gold Enamelled
	<i>CTS30TX NEW</i>	●	●	●		●	●			10	MP		●	Key	Key	up to 45mm	53mm	T, GP			Gold Enamelled
	<i>CTS50TX NEW</i>	●	●	●		●	●			10	MP		●	Key	Key	up to 45mm	53mm	T, GP			Gold Enamelled

Key: Locking Mechanism - L = Latchbolt, DL/L = Deadlocking Latch, DB = Deadbolt, MB = Multi-Bolt, MP = Multi-Point    Lockable Handle - ● From Inside, ▲ From Outside only    Type of Door - T = Timber, GP = Glass Panelled

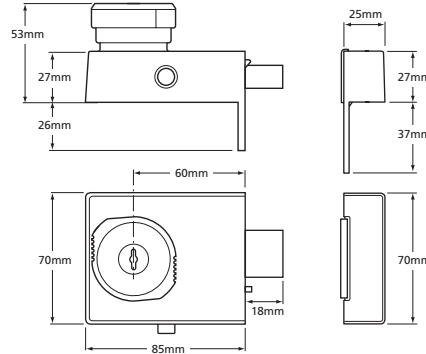


# Rim Locks

## High Security

### Chubb 4L67

- Kitemarked to BS3621. Recommended by Insurance companies and the police.
- High Security 10 disc Ava mechanism providing a high level of protection against picking and manipulation.
- Hardened steel deadbolt which automatically deadlocks on closing the door.
- Key operation from the outside. Key lockable knob operation from inside.
- Keyblank number, B-K734-M.



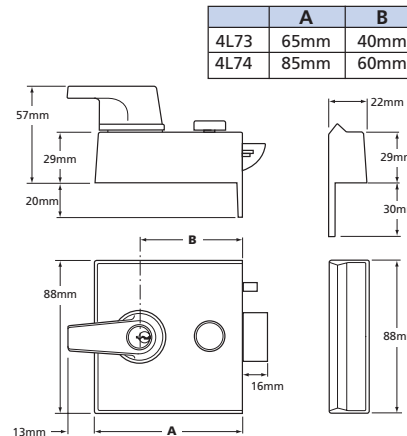
BS3621:1980

## Double Security

### Chubb 4L73

### Chubb 4L74

- Latchbolt automatically deadlocks on closing the door.
- Key operation from outside. Key lockable lever handle operation from inside.
- Keyblank number, B-K727.



	4L67	4L73	4L74
<b>Security Features</b>			
Protected Section			
Drill Resistant	•		
Saw Resistant	•	•	•
Force Resistant	•		
Pick Resistant	•	•	•
Torque Resistant	•	•	•
Tamper Resistant	•	•	•
Key Control			
Guarantee	10	10	10
<b>Features / Functions</b>			
Locking Mechanism	DB	DL/L	DL/L
Lockable Handle	•	•	•
Bolt Hold Back	•	•	•
Deadlocking Internal	Auto	Auto	Auto
Deadlocking External	Auto	Auto	Auto
<b>Door Specification</b>			
Door Thickness	38-57mm	38-57mm	38-57mm
Backset	60mm	40mm	60mm
Type of Door	T, GP	T, GP	T, GP
<b>Case Finish</b>			
Champagne Gold		•	•
Brasslux	•	•	•
Other		White	White




# Rim Locks

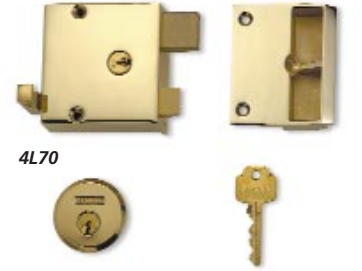
## Drawback Lock

<b>Chubb</b> 4L69	<b>Chubb</b> 4L70		
-------------------	-------------------	--	--

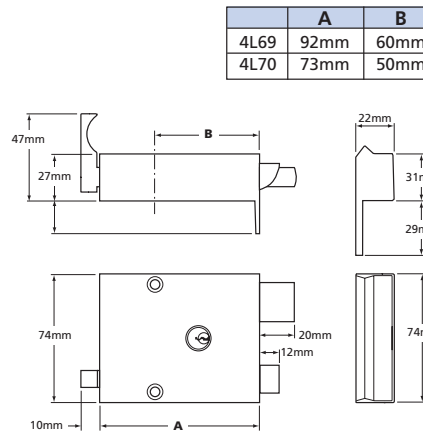
- Double throw deadbolt giving 20mm projection.
- Key operated deadbolt from either side.
- Latchbolt key operated from outside, handle operated from inside.
- Keyblank number, B-K727.



4L69



4L70



	A	B
4L69	92mm	60mm
4L70	73mm	50mm

## Security

<b>Chubb</b> 4L71	<b>Chubb</b> 4L72		
-------------------	-------------------	--	--

- Latchbolt automatically deadlocks on closing the door.
- Key operation from outside. Lever handle operation from inside.
- Security lock with deadlocking by reverse turn of key in outside cylinder.
- Keyblank number, B-K727.



4L71



4L72



	A	B
4L71	60mm	40mm
4L72	92mm	60mm

	4L69	4L70	4L71	4L72
<b>Security Features</b>				
<b>Protected Section</b>				
<b>Drill Resistant</b>				
<b>Saw Resistant</b>	●	●		
<b>Force Resistant</b>				
<b>Pick Resistant</b>	●	●	●	●
<b>Torque Resistant</b>	●	●	●	●
<b>Tamper Resistant</b>			●	●
<b>Key Control</b>				
<b>Guarantee</b>	10	10	10	10
<b>Functions</b>				
Locking Mechanism	DB, L	DB, L	DL/L	DL/L
Lockable Handle			▲	▲
Bolt Hold Back	●	●	●	●
Deadlocking Internal	Key	Key	Auto	Auto
Deadlocking External	Key	Key	Auto	Auto
<b>Door Specification</b>				
Door Thickness	38-57mm	38-57mm	38-57mm	38-57mm
Backset	60mm	50mm	40mm	60mm
Type of Door	T, GP	T, GP	T, GP	T, GP
<b>Finishes</b>				
<b>Champagne Gold</b>	●	●	●	●
<b>Brasslux</b>	●	●	●	●
<b>Other</b>			White	White

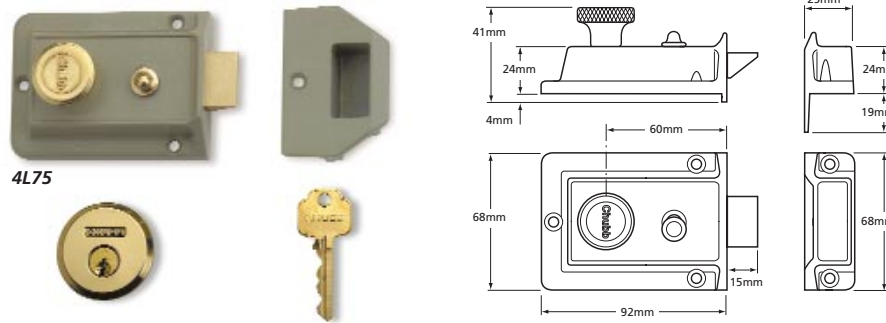


# Rim Locks

## Traditional Security

### Chubb 4L75

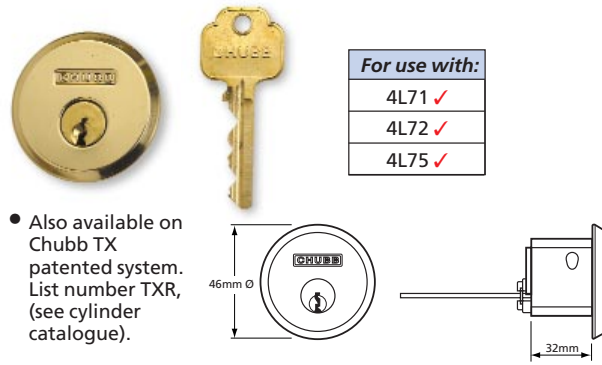
- Classic styling with deadlocking by snib.
- Key operation from the outside. Lever/knob handle operation from inside.
- Security lock with deadlocking by reverse turn of the key in outside cylinder.
- Keyblank number, B-K727.



## Replacement Cylinder

### Chubb 4LC

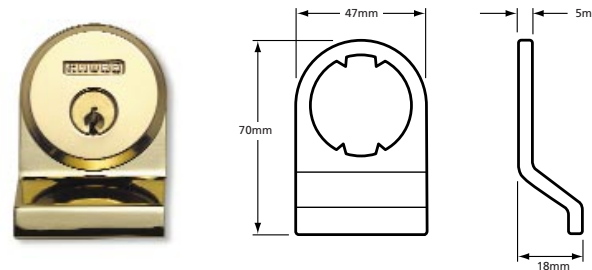
- Spare or replacement pin tumbler rim cylinder.
- Available as 6 pin as standard.
- Keyblank number, 6 pin = B-K727.



## Cylinder pull

### Chubb 4LP

- Provides an easy means of closing a door from the outside.
- Suitable for use with all Chubb Cylinder Rim Locks.
- Available in brass.



	4L75	4LC	
<b>Security Features</b>			
Protected Section		Optional	
Drill Resistant			
Saw Resistant			
Force Resistant			
Pick Resistant	•	•	
Torque Resistant	•	•	
Tamper Resistant			
Key Control			
Guarantee	10	10	
<b>Functions</b>			
Locking Mechanism	DL/L		
Lockable Handle	▲		
Bolt Hold Back	•		
Deadlocking Internal	Snib		
Deadlocking External	Key		
<b>Door Specification</b>			
Door Thickness	38-57mm	38-57mm	
Backset	60mm		
Type of Door	T, GP		
<b>Finishes</b>			
Champagne Gold	•		
Brasslux	•	•	
Other			



# Rim Locks

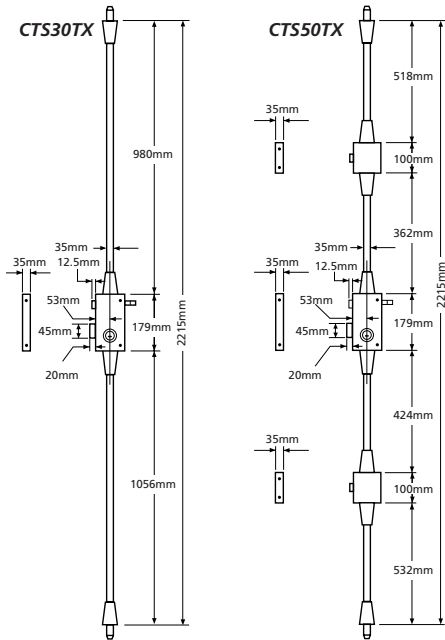
## Multi Point

**Chubb** CTS30TX, CTS50TX **NEW**

- Multiple locking points from 3 to 5.
- Supplied complete with High Security Patented TX System and security rose.
- Key operation from outside, key and lever from inside.
- Keyblank number CTXRKB

CTS30TX = 3    CTS50TX = 5

Door Size	CTS30TX	CTS50TX
Standard	2215mm	2215mm
Max. Std.	2215mm	2215mm
Max. Special	2460mm	2460mm
Minimum	1850mm	1850mm



CTS30TX

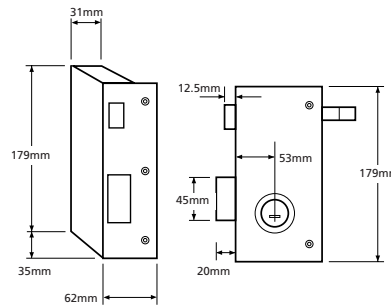
CTS50TX



## Drawback Lock

**Chubb** CTS10TX **NEW**

- Supplied complete with High Security Patented TX System and security rose.
- Key operation from outside, key and pull handle from inside.
- Keyblank number TXRKB



CTS10TX    CTS30TX    CTS50TX

Security Features		CTS10TX	CTS30TX	CTS50TX
	Protected Section	•	•	•
	Drill Resistant	•	•	•
	Saw Resistant	•	•	•
	Force Resistant			
	Pick Resistant	•	•	•
	Torque Resistant	•	•	•
	Tamper Resistant			
	Key Control			
	Guarantee	10	10	10
Functions				
Locking Mechanism		DB, L	MP	MP
Lockable Handle				
Bolt Hold Back		•	•	•
Deadlocking Internal		Key	Key	Key
Deadlocking External		Key	Key	Key
Door Specification				
Door Thickness		up to 48mm	up to 45mm	up to 45mm
Backset		53mm	53mm	53mm
Type of Door		T, GP	T, GP	T, GP
Finishes				
Champagne Gold				
Brasslux				
Other		Gold Enamelled		