



## Cylinders Index

- [Introduction](#) C2
- [BSEN103 Classification](#) C3
- [Features and Functions](#) C3
- [Photo Gallery](#) C4
- [Range Table](#) C5
- [Euro Profile Cylinders](#) C6
- [Single Cylinders](#)
- [Double Cylinders](#)
- [Turn & Key Cylinders](#)
- [Oval Profile Cylinders](#) C7
- [Single Cylinders](#)
- [Double Cylinders](#)
- [Turn & Key Cylinders](#)
- [Rim Cylinders](#) C8
- [Mortice Screw in Cylinders](#) C8
- [Scandinavian Cylinders](#) C9
- [Inner Cylinder](#)
- [Outer Cylinder](#)
- [Security Escutcheons](#) C9

*Note: We have made every effort to ensure that at the time of going to print all information shown in this catalogue is correct. However, in our efforts to continually improve our products and offer only the highest levels of security and quality we reserve the right to make alterations to the product specifications shown in this catalogue. All dimensions provided within this catalogue are approximate and for guidance only.*

## Introduction

Chubb offers a very comprehensive range of cylinders to suit most applications. They are available in the most common styles to enable the customer to utilise their existing ironmongery.

The patent protection on the new TX system will help secure your system from illicit key duplication, and is available with the new Fast Response Centre Service Support.

For the most comprehensive and flexible range of cylinders, Chubb has the solution.



Chubb is accredited with and meets the requirements of BS EN ISO 9001: 1994.

## Keying Groups

Throughout the catalogue you will see a column headed.



The information shown under this heading can help you identify which products can be Keyed Alike or Masterkeyed.

The products that can be keyed to work with other products are given a group code.

**KA** - means the product can be **Keyed Alike** with more of the same product.

**MK** - means the product can be **Masterkeyed** with more of the same product.

A Group Letter (eg **A**) means the product can be **Keyed Alike** or **Masterkeyed** with more of the same product **and** with other products listed in the same group.

For the complete range of products and their keying groups, see the chart in the introduction section.

## Keys

2 keys are supplied as standard, however see the price list for any variations.

## How to Specify

Chubb have developed a series of icons to enable the process of product specification to be simplified.

From today you can specifically detail your requirements for a product, therefore ensuring that it includes particular security features.

**Example:** If you require a cylinder that is Drill Resistant look for the Drill icon (2) in the range table.

*Chubb, Simplifying the Specification Process.*

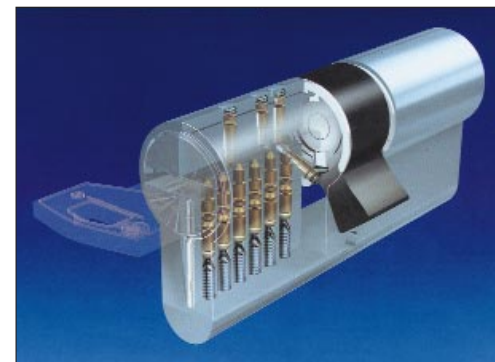
## Standards & Approvals



These pan-European standards classify products into grades on a series of exacting tests.



The Association of British Insurers provides minimum security recommendations for external doors and windows.



## Security Features

- 1 **Protected Section**  
Products are available as an option on a patented key section.
- 2 **Drill Resistant**  
Hardened protection against drill attack.
- 3 **Saw Resistant**  
Hardened protection against saw attack.
- 4 **Force Resistant**  
Built in strength against force attack.
- 5 **Pick Resistant**  
Built in protection to resist picking.
- 6 **Torque Resistant**  
Built in strength against torque attack.
- 7 **Tamper Resistant**  
Built in protection against Tampering.
- 8 **Corrosion Resistant**  
Products conform to appropriate anti-corrosion requirements.
- 9 **Fire Resistant**  
Products conform to appropriate fire test requirements.
- 10 **Escape**  
Products for use on an escape door.
- 11 **Key Control**  
The products can be included in a key control system.
- 12 **Guarantee**  
Products are guaranteed for a period of time.



# Cylinders

## BSEN1303 Classification

This standard classifies cylinders using a 7 digit coding system. Each digit refers to a particular feature of the product measured against the standard's performance requirements.

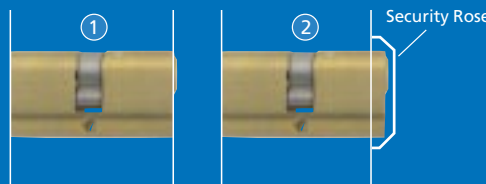
- Digit 1 - Category of use** - grade 1: Suitable for use at extremes of temperature -20°C to +80°C.
- Digit 2 - Durability** - grade 4: 25 000 cycles completed.  
- grade 5: 50 000 cycles completed.  
- grade 6: 100 000 cycles completed.
- Digit 3 - Door mass** No requirement.
- Digit 4 - Fire resistance** - grade 0: No requirement.  
- grade 1: Cylinders shall be fire tested in accordance with current fire test requirements of prEN 1634-1.
- Digit 5 - Safety** No requirement.
- Digit 6 - Corrosion resistance** - grade 0: No requirement.  
- grade 1: Conforms to grade 3 of BS EN 1670 as a minimum.
- Digit 7 - Security** Cylinders will be classified in grades 1 to 5, where 5 is the highest. The grade of security can differ from one side of a double cylinder to the other.

|   | Grades |     |        |        |         |
|---|--------|-----|--------|--------|---------|
|   | 1      | 2   | 3      | 4      | 5       |
| Min. no. of effective differs             | 100    | 300 | 15 000 | 30 000 | 100 000 |
| Min. no. of movable pins                  | 2      | 3   | 5      | 6      | 6       |
| Direct coding on key                      | YES    | YES | NO     | NO     | NO      |
| Max. net drill time (mins.)               | -      | -   | -      | 3      | 5       |
| Total drill test time (mins)              | -      | -   | -      | 5      | 10      |
| * Chisel attack resistance (No. of blows) | -      | -   | -      | 30     | 40      |
| Cylinder extraction resistance            | -      | -   | -      | 15kN   | 15kN    |
| * Cylinder torque resistance (Nm)         | 2.5    | 5   | 15     | 20     | 30      |

**Example**  
The following marking denotes a cylinder meeting the required category of use, durability grade 6 (100 000 cycles) with no fire resistance requirement, grade 1 corrosion resistance and grade 4 security.

1 6 - 0 - 1 4

\* **Note:** To gain chisel or torque resistance it is important that either, (1) the correct length of cylinder is used to be flush with the door/handle face OR (2) a high security rose is used to cover any cylinder protrusion.



## Features and Functions



**ABI** Products meet the minimum ABI security recommendations.

**CEN** Products have been tested to EN1303 and graded.

**Protected Section**  
Available on a patented key section.

**Drill Resistant**  
Hardened Steel Inserts in the cylinder body and plug.

**Force Resistant**  
Security roses or correct length cylinders prevent force attacks.

**Pick Resistant**  
Mushroom pins in the cylinder inhibiting picking.

**Torque Resistant**  
Side lugs, security roses or correct length cylinders prevent twisting.

**Corrosion Resistant**  
Products have successfully completed an anti-corrosion test.

**Key Control**  
Cylinders using the same key systems can be supplied **Keyed Alike**, or **Masterkeyed**.

**Guarantee**  
Guarantee period applicable when used with original Chubb keys and maintenance instructions followed.

### Key Systems



**TX**  
Newly patented High Security locking system. The system operates on 3 rows of pins totalling 10 pins in all. The 2 sensor pins in the cylinder interact with sensor pins in the key. The key is a flat dimple type key.



**6 PIN**  
Convenient system for general applications. System operates on a row of six lateral pins.



### Reversible key

The TX key can be inserted into the cylinder either way up and still operate.

### Number of Keys

2 keys are supplied as standard, however see the price list for any variations.

**Finishes:** Brass | Satin Nickel

**Ideal for Use with:** Rim Locks, Mortice Locks, Access Control, Panic Hardware, Multipoint Locks.



## Euro Profile Cylinders



Chubb TXES Page C6



Chubb TXED Page C6



Chubb TXET Page C6

## Rim Cylinders



Chubb TXR Page C8

## Oval Profile Cylinders



Chubb TXOS Page C7



Chubb TXOD Page C7



Chubb TXOT Page C7

## Rim Cylinders



Chubb 4LC Page C8

## Screw In Cylinders



Chubb TXTC Page C8

## Scandinavian Oval Cylinders



Chubb TXSCI Page C9



Chubb TXSCO Page C9

## Security Roses



Chubb 3C14E & 3CE Page C9



Chubb 3C13CE Page C9

# Chubb® Cylinders

|  | Standards |           | Security Features |                 |                 |                |                  |                     |             |           | Key Systems |       | Features & Functions |                | Finish Options |              |
|--|-----------|-----------|-------------------|-----------------|-----------------|----------------|------------------|---------------------|-------------|-----------|-------------|-------|----------------------|----------------|----------------|--------------|
|  | ABI       | CEN       | Protected Section | Drill Resistant | Force Resistant | Pick Resistant | Torque Resistant | Corrosion Resistant | Key Control | Guarantee | TX          | 6 Pin | Std. Cam Position    | Reversible Key | Brass          | Satin Nickel |
| <b>Chubb</b> Euro Profile Cylinders                  |           |           |                   |                 |                 |                |                  |                     |             |           |             |       |                      |                |                |              |
| <i>TXES3010 Euro Profile Single Cylinder</i>         | ●         | 116-0-115 | ●                 | ●               | ●               | ●              | ●                | ●                   | ●           | A         | 10          | ●     | ●                    | ●              | ●              | ●            |
| <i>TXES3510 Euro Profile Single Cylinder</i>         | ●         | 116-0-115 | ●                 | ●               | ●               | ●              | ●                | ●                   | ●           | A         | 10          | ●     | ●                    | ●              | ●              | ●            |
| <i>TXES4010 Euro Profile Single Cylinder</i>         | ●         | 116-0-115 | ●                 | ●               | ●               | ●              | ●                | ●                   | ●           | A         | 10          | ●     | ●                    | ●              | ●              | ●            |
| <i>TXES4510 Euro Profile Single Cylinder</i>         | ●         | 116-0-115 | ●                 | ●               | ●               | ●              | ●                | ●                   | ●           | A         | 10          | ●     | ●                    | ●              | ●              | ●            |
| <i>TXED3030 Euro Profile Double Cylinder</i>         | ●         | 116-0-115 | ●                 | ●               | ●               | ●              | ●                | ●                   | ●           | A         | 10          | ●     | ●                    | ●              | ●              | ●            |
| <i>TXED3535 Euro Profile Double Cylinder</i>         | ●         | 116-0-115 | ●                 | ●               | ●               | ●              | ●                | ●                   | ●           | A         | 10          | ●     | ●                    | ●              | ●              | ●            |
| <i>TXED4040 Euro Profile Double Cylinder</i>         | ●         | 116-0-115 | ●                 | ●               | ●               | ●              | ●                | ●                   | ●           | A         | 10          | ●     | ●                    | ●              | ●              | ●            |
| <i>TXED4545 Euro Profile Double Cylinder</i>         | ●         | 116-0-115 | ●                 | ●               | ●               | ●              | ●                | ●                   | ●           | A         | 10          | ●     | ●                    | ●              | ●              | ●            |
| <i>TXET3030 Euro Profile Turn &amp; Key Cylinder</i> | ●         | 116-0-115 | ●                 | ●               | ●               | ●              | ●                | ●                   | ●           | A         | 10          | ●     | ●                    | ●              | ●              | ●            |
| <i>TXET3535 Euro Profile Turn &amp; Key Cylinder</i> | ●         | 116-0-115 | ●                 | ●               | ●               | ●              | ●                | ●                   | ●           | A         | 10          | ●     | ●                    | ●              | ●              | ●            |
| <i>TXET4040 Euro Profile Turn &amp; Key Cylinder</i> | ●         | 116-0-115 | ●                 | ●               | ●               | ●              | ●                | ●                   | ●           | A         | 10          | ●     | ●                    | ●              | ●              | ●            |
| <i>TXET4545 Euro Profile Turn &amp; Key Cylinder</i> | ●         | 116-0-115 | ●                 | ●               | ●               | ●              | ●                | ●                   | ●           | A         | 10          | ●     | ●                    | ●              | ●              | ●            |
| <b>Chubb</b> Oval Profile Cylinders                  |           |           |                   |                 |                 |                |                  |                     |             |           |             |       |                      |                |                |              |
| <i>TXOS3010 Oval Profile Single Cylinder</i>         | ●         | 116-0-115 | ●                 | ●               | ●               | ●              | ●                | ●                   | ●           | A         | 10          | ●     | ●                    | ●              | ●              | ●            |
| <i>TXOS3510 Oval Profile Single Cylinder</i>         | ●         | 116-0-115 | ●                 | ●               | ●               | ●              | ●                | ●                   | ●           | A         | 10          | ●     | ●                    | ●              | ●              | ●            |
| <i>TXOS4010 Oval Profile Single Cylinder</i>         | ●         | 116-0-115 | ●                 | ●               | ●               | ●              | ●                | ●                   | ●           | A         | 10          | ●     | ●                    | ●              | ●              | ●            |
| <i>TXOS4510 Oval Profile Single Cylinder</i>         | ●         | 116-0-115 | ●                 | ●               | ●               | ●              | ●                | ●                   | ●           | A         | 10          | ●     | ●                    | ●              | ●              | ●            |
| <i>TXOD3030 Oval Profile Double Cylinder</i>         | ●         | 116-0-115 | ●                 | ●               | ●               | ●              | ●                | ●                   | ●           | A         | 10          | ●     | ●                    | ●              | ●              | ●            |
| <i>TXOD3535 Oval Profile Double Cylinder</i>         | ●         | 116-0-115 | ●                 | ●               | ●               | ●              | ●                | ●                   | ●           | A         | 10          | ●     | ●                    | ●              | ●              | ●            |
| <i>TXOD4040 Oval Profile Double Cylinder</i>         | ●         | 116-0-115 | ●                 | ●               | ●               | ●              | ●                | ●                   | ●           | A         | 10          | ●     | ●                    | ●              | ●              | ●            |
| <i>TXOD4545 Oval Profile Double Cylinder</i>         | ●         | 116-0-115 | ●                 | ●               | ●               | ●              | ●                | ●                   | ●           | A         | 10          | ●     | ●                    | ●              | ●              | ●            |
| <i>TXOT3030 Oval Profile Turn &amp; Key Cylinder</i> | ●         | 116-0-115 | ●                 | ●               | ●               | ●              | ●                | ●                   | ●           | A         | 10          | ●     | ●                    | ●              | ●              | ●            |
| <i>TXOT3535 Oval Profile Turn &amp; Key Cylinder</i> | ●         | 116-0-115 | ●                 | ●               | ●               | ●              | ●                | ●                   | ●           | A         | 10          | ●     | ●                    | ●              | ●              | ●            |
| <i>TXOT4040 Oval Profile Turn &amp; Key Cylinder</i> | ●         | 116-0-115 | ●                 | ●               | ●               | ●              | ●                | ●                   | ●           | A         | 10          | ●     | ●                    | ●              | ●              | ●            |
| <i>TXOT4545 Oval Profile Turn &amp; Key Cylinder</i> | ●         | 116-0-115 | ●                 | ●               | ●               | ●              | ●                | ●                   | ●           | A         | 10          | ●     | ●                    | ●              | ●              | ●            |
| <b>Chubb</b> Rim Cylinders                           |           |           |                   |                 |                 |                |                  |                     |             |           |             |       |                      |                |                |              |
| <i>TXR Rim Cylinder</i>                              | ●         | 116-0-115 | ●                 | ●               | ●               | ●              | ●                | ●                   | ●           | A         | 10          | ●     | ●                    | ●              | ●              | ●            |
| <i>4LC Rim Cylinder</i>                              |           | 116-0-113 |                   |                 |                 |                |                  |                     |             | KA        | 10          | ●     |                      | ●              |                | ●            |
| <b>Chubb</b> Mortice Screw-in Cylinders              |           |           |                   |                 |                 |                |                  |                     |             |           |             |       |                      |                |                |              |
| <i>TXTC Screw In Cylinder</i>                        | ●         | 116-0-115 | ●                 | ●               | ●               | ●              | ●                | ●                   | ●           | A         | 10          | ●     | ●                    | ●              | ●              | ●            |
| <b>Chubb</b> Scandinavian Oval Cylinders             |           |           |                   |                 |                 |                |                  |                     |             |           |             |       |                      |                |                |              |
| <i>TXSCI25 Scandanavian Oval Cylinder Inner</i>      | ●         | 116-0-115 | ●                 | ●               | ●               | ●              | ●                | ●                   | ●           | A         | 10          | ●     | ●                    | ●              | ●              | ●            |
| <i>TXSCO25 Scandanavian Oval Cylinder Outer</i>      | ●         | 116-0-115 | ●                 | ●               | ●               | ●              | ●                | ●                   | ●           | A         | 10          | ●     | ●                    | ●              | ●              | ●            |
| <i>TXSCI30 Scandanavian Oval Cylinder Inner</i>      | ●         | 116-0-115 | ●                 | ●               | ●               | ●              | ●                | ●                   | ●           | A         | 10          | ●     | ●                    | ●              | ●              | ●            |
| <i>TXSCO30 Scandanavian Oval Cylinder Outer</i>      | ●         | 116-0-115 | ●                 | ●               | ●               | ●              | ●                | ●                   | ●           | A         | 10          | ●     | ●                    | ●              | ●              | ●            |


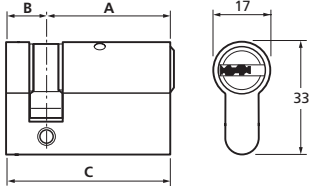


# Cylinders

## Euro Profile Single Cylinders

**Chubb TXES**

- For use with Euro profile lock cases.
- Gives key access from one side of a door.


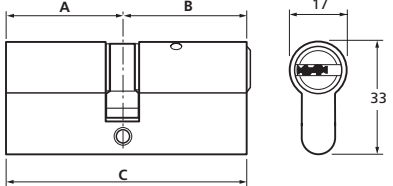



| LIST No. | LENGTH A | LENGTH B | LENGTH C |
|----------|----------|----------|----------|
| TXES3010 | 30       | 10       | 40       |
| TXES3510 | 35       | 10       | 45       |
| TXES4010 | 40       | 10       | 50       |
| TXES4510 | 45       | 10       | 55       |

## Euro Profile Double Cylinders

**Chubb TXED**

- For use with Euro profile lock cases.
- Gives key access from both sides of a door.


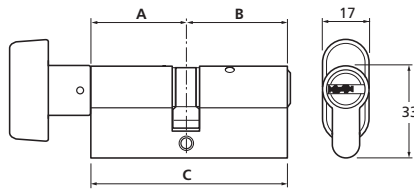



| LIST No. | LENGTH A | LENGTH B | LENGTH C |
|----------|----------|----------|----------|
| TXED3030 | 30       | 30       | 60       |
| TXED3535 | 35       | 35       | 70       |
| TXED4040 | 40       | 40       | 80       |
| TXED4545 | 45       | 45       | 90       |

## Euro Profile Key & Turn Cylinders

**Chubb TXET**

- For use with Euro profile lock cases.
- Gives key access from one side of a door and thumbturn operation from the other.
- Turn suitable for people with Impaired Mobility.

| LIST No. | LENGTH A | LENGTH B | LENGTH C |
|----------|----------|----------|----------|
| TXET3030 | 30       | 30       | 60       |
| TXET3535 | 35       | 35       | 70       |
| TXET4040 | 40       | 40       | 80       |
| TXET4545 | 45       | 45       | 90       |

|                                 | TXES      | TXED      | TXET      |
|---------------------------------|-----------|-----------|-----------|
| <b>Standards</b>                |           |           |           |
| <b>ABI</b>                      | •         | •         | •         |
| <b>CEN</b>                      | 116-0-115 | 116-0-115 | 116-0-115 |
| <b>Security Features</b>        |           |           |           |
| <b>PS Protected Section</b>     | •         | •         | •         |
| <b>Drill Resistant</b>          | •         | •         | •         |
| <b>Force Resistant</b>          | •         | •         | •         |
| <b>Pick Resistant</b>           | •         | •         | •         |
| <b>Torque Resistant</b>         | •         | •         | •         |
| <b>Corrosion Resistant</b>      | •         | •         | •         |
| <b>Key Control</b>              | A         | A         | A         |
| <b>Guarantee</b>                | 10        | 10        | 10        |
| <b>Key Systems</b>              |           |           |           |
| TX                              | •         | •         | •         |
| 6 Pin                           |           |           |           |
| <b>Features &amp; Functions</b> |           |           |           |
| Std. Cam Position               | 25°       | 25°       | 25°       |
| Reversible Key                  | •         | •         | •         |
| <b>Finish Options</b>           |           |           |           |
| Brass                           | •         | •         | •         |
| Satin Nickel                    | •         | •         | •         |


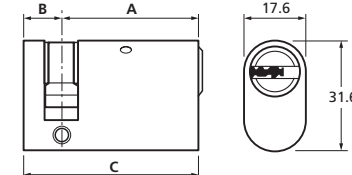


# Cylinders

## Oval Profile Single Cylinders

**Chubb TXOS**

- For use with Oval profile lock cases.
- Gives key access from one side of a door.


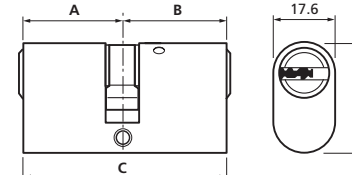



| LIST No. | LENGTH A | LENGTH B | LENGTH C |
|----------|----------|----------|----------|
| TXOS3010 | 30       | 10       | 40       |
| TXOS3510 | 35       | 10       | 45       |
| TXOS4010 | 40       | 10       | 50       |
| TXOS4510 | 45       | 10       | 55       |

## Oval Profile Double Cylinders

**Chubb TXOD**

- For use with Oval profile lock cases.
- Gives key access from both sides of a door.


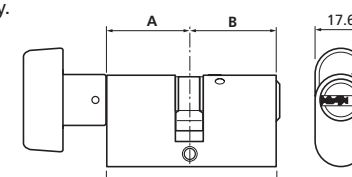



| LIST No. | LENGTH A | LENGTH B | LENGTH C |
|----------|----------|----------|----------|
| TXOD3030 | 30       | 30       | 60       |
| TXOD3535 | 35       | 35       | 70       |
| TXOD4040 | 40       | 40       | 80       |
| TXOD4545 | 45       | 45       | 90       |

## Oval Profile Key & Turn Cylinders

**Chubb TXOT**

- For use with Oval profile lock cases.
- Gives key access from one side of a door and thumbturn operation from the other.
- Turn suitable for people with Impaired Mobility.

| LIST No. | LENGTH A | LENGTH B | LENGTH C |
|----------|----------|----------|----------|
| TXOT3030 | 30       | 30       | 60       |
| TXOT3535 | 35       | 35       | 70       |
| TXOT4040 | 40       | 40       | 80       |
| TXOT4545 | 45       | 45       | 90       |

|                                 | TXOS      | TXOD      | TXOT      |
|---------------------------------|-----------|-----------|-----------|
| <b>Standards</b>                |           |           |           |
| <b>ABI</b>                      | •         | •         | •         |
| <b>CEN</b>                      | 116-0-115 | 116-0-115 | 116-0-115 |
| <b>Security Features</b>        |           |           |           |
| <b>PS Protected Section</b>     | •         | •         | •         |
| <b>Drill Resistant</b>          | •         | •         | •         |
| <b>Force Resistant</b>          | •         | •         | •         |
| <b>Pick Resistant</b>           | •         | •         | •         |
| <b>Torque Resistant</b>         | •         | •         | •         |
| <b>Corrosion Resistant</b>      | •         | •         | •         |
| <b>Key Control</b>              | A         | A         | A         |
| <b>Guarantee</b>                | 10        | 10        | 10        |
| <b>Key Systems</b>              |           |           |           |
| TX                              | •         | •         | •         |
| 6 Pin                           |           |           |           |
| <b>Features &amp; Functions</b> |           |           |           |
| Std. Cam Position               | 25°       | 25°       | 25°       |
| Reversible Key                  | •         | •         | •         |
| <b>Finish Options</b>           |           |           |           |
| Brass                           | •         | •         | •         |
| Satin Nickel                    | •         | •         | •         |

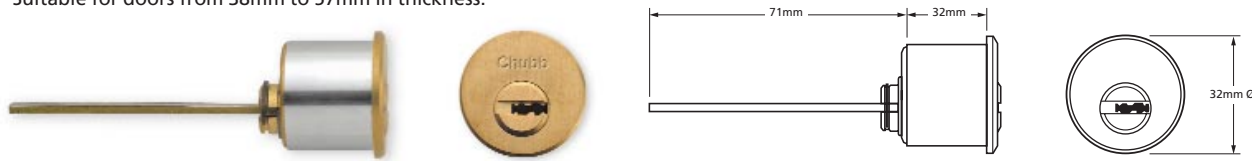


# Cylinders

## Rim Cylinders

**Chubb** TXR

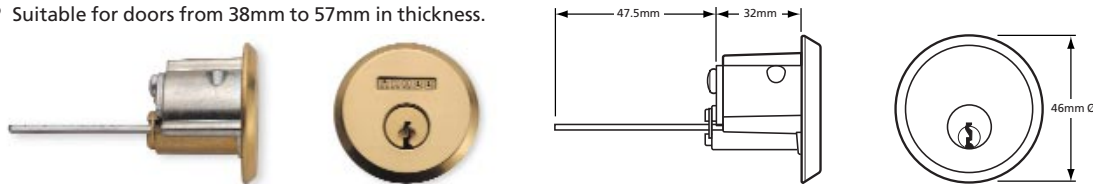
- For use with surface mounted locks operating from a tailbar.
- Provide key access from one side of a door.
- Suitable for doors from 38mm to 57mm in thickness.



## Rim Cylinders

**Chubb** 4LC

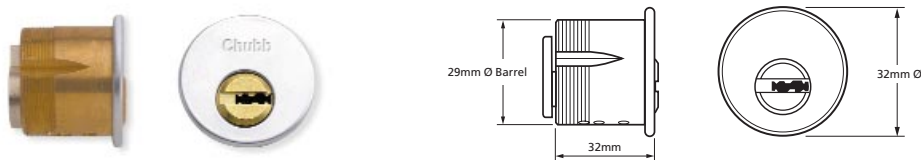
- For use with surface mounted locks operating from a tailbar.
- Provide key access from one side of a door.
- Suitable for doors from 38mm to 57mm in thickness.



## Mortise Screw in Cylinders

**Chubb** TXTC

- For use with American stile or narrow stile mortise locks operating from a 29mm threaded cylinder.
- Provide key access from one side of a door.



|                                 | TXR       | 4LC       | TXTC      |
|---------------------------------|-----------|-----------|-----------|
| <b>Standards</b>                |           |           |           |
| <b>ABI</b>                      | •         | •         | •         |
| <b>CEN</b>                      | 116-0-115 | 116-0-113 | 116-0-115 |
| <b>Security Features</b>        |           |           |           |
| <b>PS Protected Section</b>     | •         |           | •         |
| <b>Drill Resistant</b>          | •         |           | •         |
| <b>Force Resistant</b>          | •         |           | •         |
| <b>Pick Resistant</b>           | •         | •         | •         |
| <b>Torque Resistant</b>         | •         | •         | •         |
| <b>Corrosion Resistant</b>      | •         | •         | •         |
| <b>Key Control</b>              | A         | KA        | A         |
| <b>Guarantee</b>                | 10        | 10        | 10        |
| <b>Key Systems</b>              |           |           |           |
| TX                              | •         |           | •         |
| 6 Pin                           |           | •         |           |
| <b>Features &amp; Functions</b> |           |           |           |
| Std. Cam Position               |           |           |           |
| Reversible Key                  | •         |           | •         |
| <b>Finish Options</b>           |           |           |           |
| Brass                           | •         | •         | •         |
| Satin Nickel                    | •         |           | •         |



# Cylinders

## Scandinavian Oval Cylinders

**Chubb TXSCI**

- For use with Scandinavian oval profile lock cases.
- Provides key access from the inside of a door.
- Bolt through fixings.

| LIST No. | LENGTH A |
|----------|----------|
| TXSCI25  | 25       |
| TXSCI30  | 30       |

## Scandinavian Oval Cylinders

**Chubb TXSCO**

- For use with Scandinavian oval profile lock cases.
- Provides key access from the outside of the door.
- Bolt through fixings.

| LIST No. | LENGTH A |
|----------|----------|
| TXSCO25  | 25       |
| TXSCO30  | 30       |

## High Security Cylinder Escutcheons

**Chubb 3C14E • 3CE**

- For use with Euro profile cylinders.
- Helps prevent against Torque and Force attacks.
- Brass or Satin Finish.
- Bolt through fixing.

**Chubb 3C13CE**

- For use with Euro profile cylinders.
- Helps prevent against Torque and Force attacks.
- Brass or Satin Finish.
- Bolt through fixing.
- Escutcheon covers cylinder for extra protection.

|                                 | TXSCI     | TXSCO     |  |
|---------------------------------|-----------|-----------|--|
| <b>Standards</b>                |           |           |  |
| <b>ABI</b>                      | •         | •         |  |
| <b>CEN</b>                      | 116-0-115 | 116-0-115 |  |
| <b>Security Features</b>        |           |           |  |
| <b>PS Protected Section</b>     | •         | •         |  |
| <b>Drill Resistant</b>          | •         | •         |  |
| <b>Force Resistant</b>          | •         | •         |  |
| <b>Pick Resistant</b>           | •         | •         |  |
| <b>Torque Resistant</b>         | •         | •         |  |
| <b>Corrosion Resistant</b>      | •         | •         |  |
| <b>Key Control</b>              | A         | A         |  |
| <b>Guarantee</b>                | 10        | 10        |  |
| <b>Key Systems</b>              |           |           |  |
| TX                              | •         | •         |  |
| 6 Pin                           |           |           |  |
| <b>Features &amp; Functions</b> |           |           |  |
| Std. Cam Position               |           |           |  |
| Reversible Key                  | •         | •         |  |
| <b>Finish Options</b>           |           |           |  |
| Brass                           | •         | •         |  |
| Satin Nickel                    | •         | •         |  |



# Cylinders

## Notes

Chubb

A large, empty, lined area for taking notes, consisting of many horizontal blue lines on a white background.