

# Push Button Door Locks

DIGITAL DOOR LOCK



SMART LOCK



## SPECIFICATION

The ERA Digital Door Lock is designed for easy access control, suitable for a range of applications. The lock can be unlocked from the outside through correct input of the user code. The code can be easily changed. Keyed options are available.

The Digital Door Lock automatically locks on the spring latch bolt. For added security, it has a vandal proof outer knob. On the inside the integral handle allows simple opening. The Digital Door Lock has a keyless operation - no keys to lose. The lock has over 5,500 code combinations, and can easily be set for right hand or left hand fitting.

The ERA Smart Lock, an electronic digital door lock, is ideal for restricting access through doors of high usage or other vulnerable doors. The ERA Smart Lock comes with a choice of lever or knob handles and in a satin or satin brass finish. The lock is operated from the outside using and code and from the inside by using the handle.

It has the following features:

- Easy to operate and program using the keypad.
- One master code for programming and one user code.
- Key override as standard, concealed behind plate on the handle.
- Suitable for internal and external applications.
- Passage function so the door can be opened using just the handle when restricted access is not required.
- Powered by 4xAA Batteries (supplied).
- Suitable for door thickness 35-50mm.
- Maximum 9 digit code, minimum 1 digit.
- Deadlocking latch bolt.

## ORDERING DETAILS

<b>Digital Door Lock</b>	
Brassed	290-31
Brassed with Holdback	291-31
Satin	290-51
Satin with Holdback	291-51
Satin with Key Override	292-51
Satin with Hook Bolt	293-51
<b>Smart Lock</b>	
Lever Handle, left hand, brassed	288-31LH
Lever Handle, right hand, brassed	288-31RH
Lever Handle, left hand, satin	288-51LH
Lever Handle, right hand, satin	288-51RH
Door Knob, brassed	289-31LH
Door Knob, satin	289-51LH

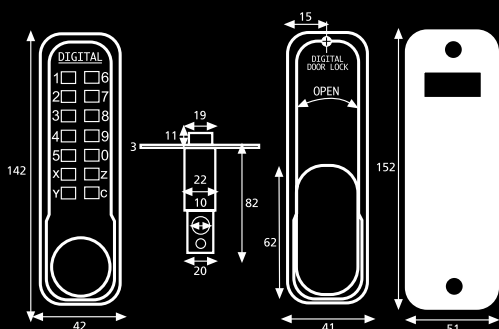
### Packaging

Individually boxed complete with full fitting instructions.

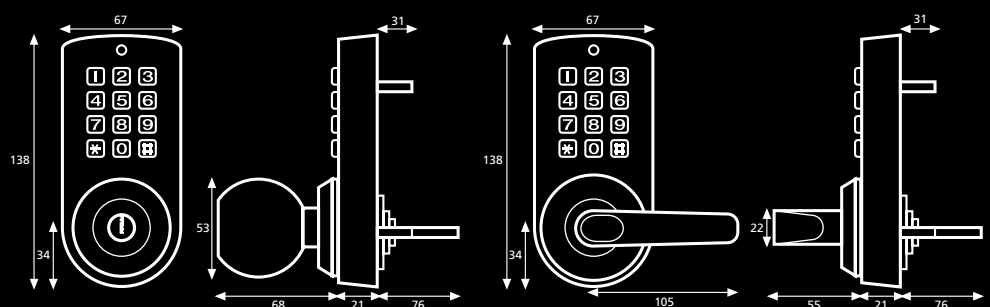
### Contents

Lock, striker, fixings and instructions.

Digital Door Lock



Smart Lock



# Codemaster Digital Door Lock

## SPECIFICATION

The New ERA Codemaster has been enhanced with a new anti picking system, reinforced backplate, a metal latchbolt and improved fixing posts.

ERA Codemaster is a fully mechanical push button lock, suitable for regulating access in a variety of commercial, industrial and domestic applications. No keys or wiring required.

The lock is unlocked from the outside only through correct input of the user code and from the inside using an easy turn handle. Codemaster locks automatically on the spring latch bolt when the door is closed.

The security code is reset in seconds using just a screwdriver, whilst the lock is fixed to the door. For added security, Codemaster has a 'primary key' feature - the first button pressed must be the primary key.

Codemaster is available in a range of colours and finishes.

Rebate sets and door repair plates are available.



## ORDERING DETAILS

### Codemaster Digital Door Lock

Gold		295-31
Gold with holdback		296-31
Grey		295-41
Grey with holdback		296-41
Silver		295-51
Silver with holdback		296-51
Red	(RAL 3003)*	296-511
Blue	(RAL 5002)*	296-541
Green	(RAL 6016)*	296-591
Light Grey	(RAL 7038)*	296-601
Black	(RAL 9005)*	296-671

\*with holdback

### Codemaster Door Repair Plates

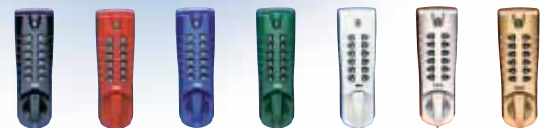
Brass Repair Plate	280-31
Satin Repair Plate	280-51

### Codemaster Rebate Sets

Brass 13mm Rebate set	281-31
Brass 19mm Rebate set	282-31
Brass 25mm Rebate set	283-31
Satin 13mm Rebate set	281-51
Satin 19mm Rebate set	282-51
Satin 25mm Rebate set	283-51



### RAL COLOURS

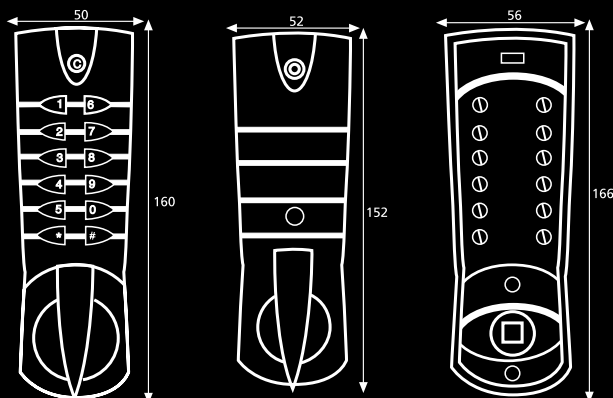


### Packaging

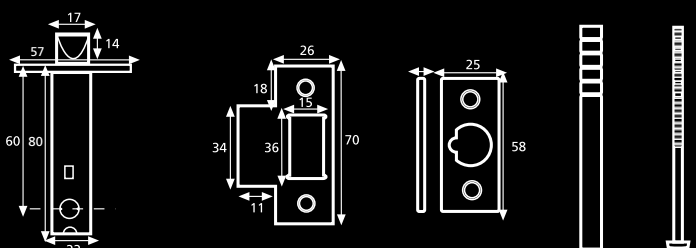
Individually boxed or clam packed with full fitting instructions and templates.

### Contents

Lock, striker, fixings.



### Codemaster Digital Door Lock



All dimensions in mm.