

BS Euroshield Range

SPECIFICATION

The ERA British Standard Euroshield is certified to BS3621:1998, fully meeting insurance company requirements and recommended by the police.

The BS Euroshield features a High Security 6 pin Euro Profile Double Cylinder resistant against picking or drill attack. Bolt through heavy-duty security roses protect the cylinder.

The BS Euroshield Sash Lock features an easily reversible latch bolt. The deadbolt has hardened steel rollers to resist hacksawing.

The BS Euroshield is available as either complete with cylinder or as case only (this is not certified to BS3621:1998).

ERA BS Euroshield Rebate Sets are available in two sizes - 12.7mm (1/2") and 25.4mm (1") with a choice of finishes to match forends. Sash Lock Rebate Sets are non-handed to reduce stock holding. Full fitting instructions are supplied.



SASH LOCK



DEAD LOCK



ORDERING DETAILS

Sash Lock

Brass 64mm (2 1/2") 250-31

Satin 64mm (2 1/2") 250-51

Brass 76mm (3") 350-31

Satin 76mm (3") 350-51

Dead Lock

Brass 64mm (2 1/2") 258-31

Satin 64mm (2 1/2") 258-51

Brass 76mm (3") 358-31

Satin 76mm (3") 358-51

For 'CASE ONLY' - please add 'CASE' on end of above codes. Note: Does not conform to BS: 3621:1980.

Above locks are suitable for sprung furniture only

Sash Lock Rebate Sets

Brass 12.7mm (1/2") Rebate 402-31

Satin 12.7mm (1/2") Rebate 402-51

Brass 25.4mm (1") Rebate 404-31

Satin 25.4mm (1") Rebate 404-51

Dead Lock Rebate Sets

Brass 12.7mm (1/2") Rebate 400-31

Satin 12.7mm (1/2") Rebate 400-51

Brass 25.4mm (1") Rebate 401-31

Satin 25.4mm (1") Rebate 401-51

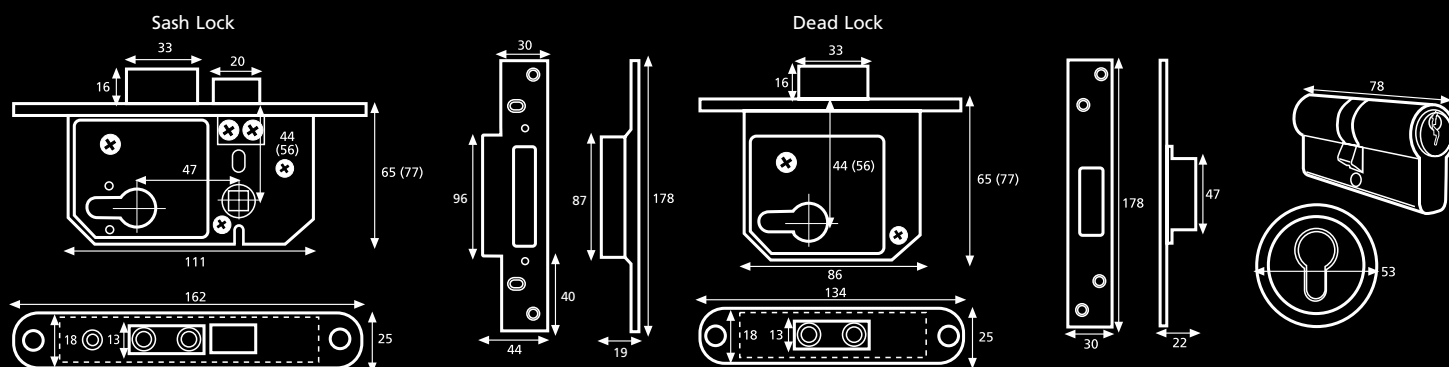
Packaging

The locks are individually boxed complete with full fitting instructions. They are also available clam packed - except 'CASE ONLY'.

Contents

Sash Lock - Lock, forend, striker, 3 keys, fixings and instructions.

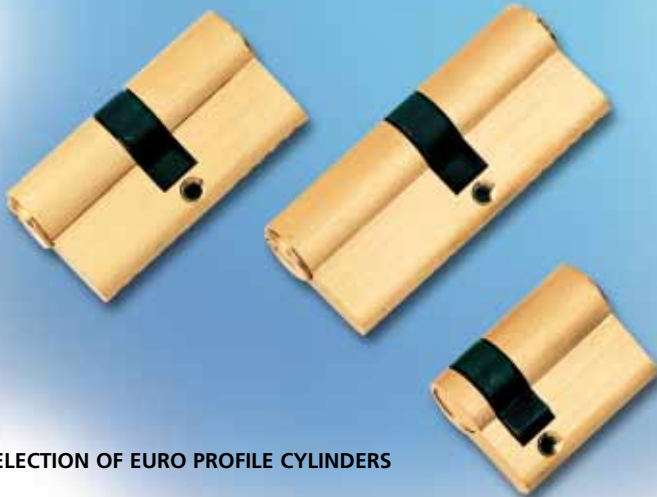
Dead Lock - Lock, forend, striker, escutcheon set, 3 keys, fixings and instructions.



All dimensions in mm. Numbers in brackets relate to 3" version of lock

Euro Pro-Fit (Non BS)

SASH LOCK



SELECTION OF EURO PROFILE CYLINDERS

Packaging

The locks are individually boxed complete with full fitting instructions.

Contents

Sash Lock - forend, box, striker, fixings and instructions.

Dead Lock - forend, box, striker, fixings and instructions.

SPECIFICATION

The ERA Euro Pro-Fit offers total versatility allowing for most Euro Profile locking cylinders.

Available as both Sash Lock and Dead Lock, they are tested to meet BS5872 Category B Standards*.

They are ideal for replacing most existing door locks with minimal change to existing fittings. The lock has hardened steel rollers in the bolt to resist hacksawing.

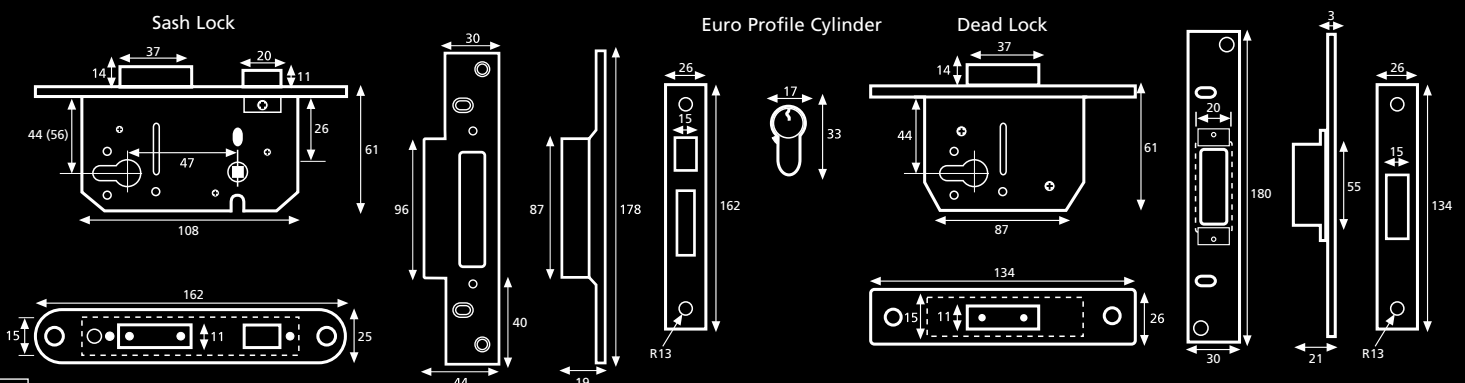
The Euro Pro-Fit Sash Lock features an easily reversible latch bolt, making the lock suitable for left or right hinged doors.

Rebate Sets for the Euro Pro-Fit Range are available separately.

*Only Sash Lock Sashbolt is tested to BS 5872 Category B Standards.

ORDERING DETAILS

Sash Lock	
Brass 64mm (2½")	226-31
Brass 76mm (3")	326-31
Satin 64mm (2½")	226-51
Satin 76mm (3")	326-51
Dead Lock	
Brass 64mm (2½")	225-31
Brass 76mm (3")	325-31
Satin 64mm (2½")	225-51
Satin 76mm (3")	325-51
Sash Lock Rebate Sets	
Brass 12.7mm (½") Rebate	436-31
Satin 12.7mm (½") Rebate	436-51
Brass 25.4mm (1") Rebate	437-31
Satin 25.4mm (1") Rebate	437-51
Dead Lock Rebate Sets	
Brass 12.7mm (½") Rebate	434-31
Satin 12.7mm (½") Rebate	434-51
Brass 25.4mm (1") Rebate	435-31
Satin 25.4mm (1") Rebate	435-51
Euro Profile Cylinders	
See page 10 for details.	

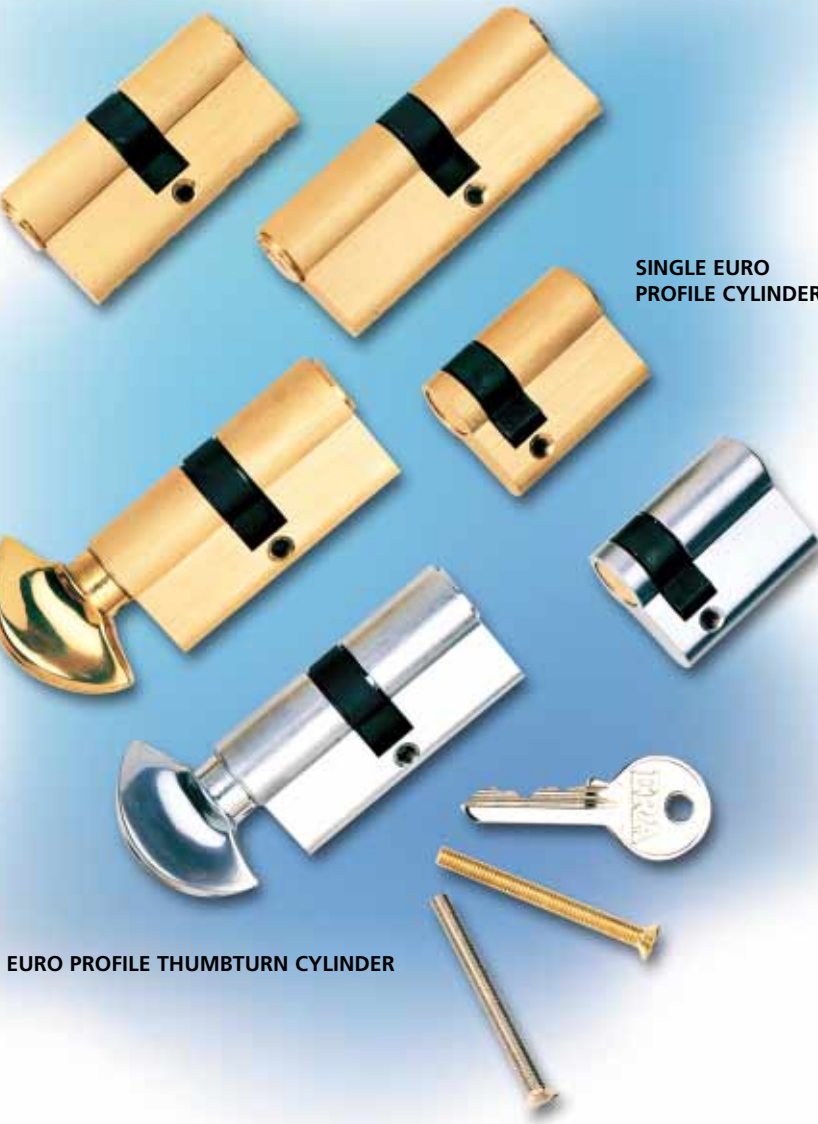


All dimensions in mm. Numbers in brackets relate to 3" version of lock

Euro Profile Cylinders

DOUBLE EURO PROFILE CYLINDER

SINGLE EURO PROFILE CYLINDER



EURO PROFILE THUMBTURN CYLINDER

Packaging

The locks are individually boxed, and also available clam packed.

Contents

Euro Profile Cylinder, connecting screw and 2 keys.

SPECIFICATION

ERA offers a comprehensive selection of **Euro Profile Cylinders**, available in a vast number of sizes and types, complementing the Euro Cylinder operated Mortice Locks.

Available in both brass and satin finishes, the Euro Profile Cylinders are manufactured from solid brass incorporating either 5 pins (Standard), 6 pins (Security) and 6 pins (High Security).

The High Security 6 pin cylinders have anti-pick, hardened pins and four mushroom drivers, offering in excess of 100,000 key differs.

The **Single Euro Profile Cylinders**, opening from one side only (external side of door), are ideal for use in locations such as fire escape doors, where top security is required on one side and controlled access on the other.

The **Euro Thumbturn Cylinders** are ideal for locations that require controlled access from one direction and easy access from another.

The **High Security 6 pin Double Euro Cylinders** ensures controlled access from both sides of the lock.

Master Keying and Cylinders To Pass are available to special order. Each cylinder is supplied with 2 keys.

ORDERING DETAILS

Dimensions (mm)			No. of Pins	Finish	
A	B	C			
Single Euro Cylinders					
30		40	5	Satin	4030-51
30		40	5	Brass	4031-31
Euro Thumbturn Cylinders					
30	30	60	5	Satin	4100-51
30	30	60	5	Brass	4101-31
Double Euro Cylinders					
30	30	60	5	Satin	4050-51
30	30	60	5	Brass	4051-31
30	40	70	5	Satin	4054-51
30	40	70	5	Brass	4055-31
35	35	70	5	Satin	4110-51
35	35	70	5	Brass	4110-31
35	35	70	6	Satin	4066-51
35	35	70	6	Brass	4067-31
35	40	75	6	Satin	4068-51
35	40	75	6	Brass	4069-31
35	45	80	6	Satin	4070-51
35	45	80	6	Brass	4071-31
40	40	80	6	Satin	4077-51
40	40	80	6	Brass	4078-31
40	50	90	6	Satin	4081-51
40	50	90	6	Brass	4082-31
40	60	100	6	Satin	4085-51
40	60	100	6	Brass	4086-31
45	45	90	6	Satin	4087-51
45	45	90	6	Brass	4088-31
45	55	100	6	Satin	4095-51
45	55	100	6	Brass	4095-31

Further sizes available - please call Era sales for further information.

Single Euro Profile Cylinder

Euro Profile Thumbturn Cylinder

Double Euro Profile Cylinder

